

The logo consists of the letters 'ZCZK' in a bold, stylized, yellow font with a slight 3D effect. The background of the entire page is a blue-tinted industrial scene with various pipes, valves, and structures.

ZCZK

综合样本
General Samples

无锡市中成自控阀门有限公司
Wuxi Zhongcheng Control Valve Co.,Ltd.

ZCZK

安全为先

品质为本

持续创新

客户至上



Safety for **First**

Quality as **Root**

Innovation for **Excellence**

Customer is **Foremost**



企业简介

Company Profile

无锡市中成自控阀门有限公司成立于上世纪九十年代初，位于无锡市锡山经济开发区内，是一家集研发、制造、销售为一体的专业控制阀门生产民营科技企业。

ZCZK自创立以来，开发出使用于广泛领域的各种控制阀，产品先后服务于矿山、有色金属、冶金、石油、化工、电力、水处理、环保、制药等领域，得到了用户的一致好评。

ZCZK技术力量雄厚，是多种苛刻工况控制阀的生产厂家，在高温高压、高压差、小流量、耐冲刷、耐腐蚀、大口径、多流道、频繁动作（每年约20-50万次）的控制阀设计、制造方面有成熟经验。ZCZK的切断阀产品（球阀、蝶阀、快切阀、截止阀）同样以可靠、长寿命得到用户的认可。这些产品都有多年实绩。

ZCZK的所有工作都严格按照ISO9001质量管理体系要求进行，满足国家特种设备压力管道元件生产许可证的要求，从原材料加工到成品都经过严格的检验和试验，产品标准符合GB/T4213-2008及IEC-60534国际标准。

ZCZK本着质量第一，用户至上的原则，为客户提供高品质的产品和服务，用户的满意是ZCZK人最大的收获。





Established in the early 1990s, Wuxi Zhongcheng Control Valve Co.,Ltd (ZCZK) is a private scientific and technological enterprise specialized in the research, development, manufacturing and sales of control valves. It is located in the economic development zone of Xishan district, Wuxi, with convenient transportation access.

Since its establishment, ZCZK has developed various different kinds of control valves used in extensive domains. The products of ZCZK successively served in mining, nonferrous metal, metallurgy, petroleum, chemical engineering, electricity, water treatment, environment protection, pharmacy and other fields. And the products have been widely praised by the users.

With its Strong technical force, ZCZK is a control valve manufacturer of products using in all kinds of extreme operating conditions. ZCZK has ripe experience in the design and manufacture of the control valves for high temperature, high pressure, high pressure differential, small flow, flushing resisting, corrosion resisting, large caliber, multiple flow passages and frequent operation (about 20-50 ten thousand times per year). The Cut-off Valves (Ball Valves, Butterfly Valves, Rapid Cut-off Valves, Globe Valves) of ZCZK are also praised by users for their good credibility and long life time. We have actual long-term performances of these products.

All the works done by ZCZK are strictly in accordance with the requirements of ISO9001 quality management system, and meets the requirements of the national Manufacture License of Special Equipment (Pressure Piping Element). Strict inspections and tests will be done through the whole manufacture process from raw material to the final products. And the product standards are in line with GB/T4213-2008 and IEC-60534.

ZCZK holds the principle of "Quality First, Customer Foremost", provides high quality products and services for customers. Your satisfaction is our biggest harvest.







阀本体代号 Code

代号 Code	P	M	N	R	W	Z	J	Y	D	S
本体部 Body Type	单座阀 Single Seated Valves	套筒阀 Cage Guided Valves	双座阀 Double Seated Valves	球阀 Ball Valves	蝶阀 Butterfly Valves	闸阀 Gate Valves	角阀/截止阀 Angle Valves / Shutoff Valves	自力式调节阀 Self-operated Control Valves	风门 Dampers	特殊阀 Special Valves

阀类型编号 Type Number

	1	2	3	4	5	6	7	8	9	0	
P	顶部导向单座阀 Top Guided Single Seated Globe Valves	笼式单座阀 Cage Single Seated Globe Valves	高压单座阀 High Pressure Single Seated Globe Valves	内衬型单座阀 Lining Single Seated Globe Valves	快速切断单座阀 Rapid Cut-off Single Seated Globe Valves	顶底导向单座阀 Top & Bottom Guided Single Seated Globe Valves	平衡单座阀 Balance Single Seated Globe Valves	调节切断型单座阀 Adjust Cut-off Single Seated Globe Valves	小流量单座阀 Small flow Single Seated Globe Valves	特殊型号 Special Type	
M	双座套筒阀 Double Seated Cage Guided Control Valves	单座套筒阀 Single Seated Cage Guided Control Valves	多孔式套筒阀 Multi-hole Cage Guided Control Valves	多级式套筒阀 Multilevel Cage Guided Control Valves	迷宫式套筒阀 Labyrinth Cage Guided Control Valves	多段式套筒阀 Multistage Cage Guided Control Valves	盘片式套筒阀 Disk Cage Guided Control Valves	调节切断阀 Adjust Cut-off Valves			
N	三通合流双座阀 3-Way Mixing Double Seated Globe Valves	三通分流双座阀 3-Way Diverting Double Seated Globe Valves				顶底导向双座阀 Top & Bottom Guided Double Seated Globe Valves					
R	0型直通球阀 Straight Through Ball Valves	V型球阀 V Port Ball Valves	偏心旋转调节阀 Eccentric Rotary Control Valves	衬塑球阀 Plastic Lining Ball Valves	顶装式球阀 Top Fitted Type Ball Valves	固定球硬密封球阀 Metal Sealing Fixed Ball Valves	三通型球阀(L/T) 3-Way Ball Valves (L/T)	高压球阀 High Pressure Ball Valves	浮动球硬密封球阀 Floating Ball Valves		
W	开放型蝶阀 Open Type Butterfly Valves	斜面型蝶阀 Inclined Disc Type Butterfly Valves	后座型蝶阀 Back Seated Butterfly Valves	衬塑蝶阀 Plastic Lining Butterfly Valves	衬胶蝶阀 Rubber Lining Butterfly Valves	高温型蝶阀 High Temp. Butterfly Valves	高性能密封型蝶阀 High Performance Seal Type Butterfly Valves	三偏心密封型蝶阀 Triple Eccentric Seal Type Butterfly Valves	多偏心平面密封面蝶阀 Multi Eccentric Plane Seal Type Butterfly Valves		
D	单叶开放型风门 Single Disc Open Type Dampers	多叶型开放风门 Multi Disc Open Type Dampers	单叶后座型风门 Single Disc Back Seated Type Dampers	多叶后座型风门 Multi Disc Back Seated Type Dampers	盘式切断型风门 Disc Cut-off Dampers	高温型风门 High Temp. Dampers	三通换向型风门 3-Way Reversing Dampers	四通换向型风门 4-Way Reversing Dampers			
Z	平板型闸阀 Slab Gate Valves	高压平板型闸阀 High Pressure Slab Gate Valves	分体型闸阀 Split Gate Valves		楔形闸阀 Wedge Gate Valves	平行双闸板闸阀 Parallel Double Disc Gate Valves					
J	顶部导向角阀 Top Guided Angle Valves	高压角阀 High Pressure Angle Valves	耐冲蚀角阀 Flushing Resistant Angle Valves	多级套筒角阀 Multilevel Cage Guided Angle Valves	迷宫式角阀 Labyrinth Angle Valves	多段式阀芯型角阀 Multistage Plug Type Angle valves	盘片式角阀 Disk Angle Valves	截止阀 Shutoff Valves	放料阀 Discharge Valves		
Y	P 单座自力式调节阀 P Single Seated Self-operated Control Valves			N 双座自力式调节阀 N Double Seated Self-operated Control Valves			M 套筒自力式调节阀 M Cage Guided Self-operated Control Valves				
S	特殊 Special Valves										

阀门流量特性 Flow Characteristics

流量特性 Flow Characteristics	0	1	2	3	4	5
	通断两位 On-Off	直线 Linear	等百分比 Eq%	快开 Quick-opening	近似等百分比 Approximate Eq%	近似直线 Approximate Linear

阀的材质 Materials

材质 Material	1	2	3	4	5	6	7	8	9	0
阀体 Body	低合金钢 Low alloy steel	碳钢 Carbon steel	18-8 不锈钢 18Cr8Ni stainless steel	18-12 不锈钢 18Cr12Ni stainless steel	双相钢 Dual phase steel	铁基合金 Ferrous alloy	镍基合金 Nickel base alloy	钛合金 Titanium alloy	特殊金属材料 Special metal material	特殊非金属材料 Special non-metallic materials
阀内件 Trim	低合金钢 Low alloy steel	碳钢 Carbon steel	马氏体及析出硬化热处理不锈钢 Martensite and precipitation hardening heat treatment stainless steel	奥氏体不锈钢 Austenitic stainless steel	双相钢 Dual phase steel	铁基合金 Ferrous alloy	镍基合金 Nickel base alloy	钛合金 Titanium alloy	特殊金属材料 Special metal material	特殊非金属材料 Special non-metallic materials

阀的密封面特点 Characteristic Of The Sealing Surface

阀座密封特点 Seat Sealing Characteristics	M	E	W	S
	金属硬密封 Metal hard sealing	弹性软密封 Elastic soft sealing	全部堆焊、喷焊 All overlaying、Spray welding	喷涂硬化 Spraying hardening

阀盖的结构特征 Characteristic Of The Bonnets

阀盖 Bonnet	S	B	E	H	J	L
	标准型 Standard	波纹管密封型 Bellow seat	加长型 Lengthen	散热型 Heat dissipation	夹套型 Jacketed	低温型 Low temperature

阀的压力等级 Body Rating Levels

公称压力 Body Rating	1.0	2.5	6	10	16	25	40	64	100	160	250	420
	0.1MPa	0.25MPa	0.6MPa	1.0MPa	1.6MPa	2.5MPa	4.0MPa	6.3MPa	10.0MPa	16.0MPa	25.0MPa	42.0MPa
	150	300	400	600	900	1500	2500					
	150LB	300LB	400LB	600LB	900LB	1500LB	2500LB					

阀的作用方式 Operation Mode

阀作用方式 Operation Mode	K	B	L
	信号增加阀开启 Open when signal increase	信号增加阀关闭 Close when signal increase	双信号 Double signals

气动执行机构 Pneumatic Actuator

气动执行机构 Pneumatic Actuator	代码编号 Code					
	A					
直行程 Linear Stem Motion type	L					
角行程 Rotary Stem Motion type	R					
膜片式 Diaphragm		D				
活塞式 Piston		P				
齿轮齿条式 Rack & Pinion		R				
拨叉式 Scotch Yoke		F				
铰链式 Hinge		H				
单动作正作用 Spring Return Direct Action			A			
单动作反作用 Spring Return Reverse Action			B			
双作用 Double Acting			—			
缸径 Bore				000		
					—	
行程 / 角度 Stroke/Angle						00

电动执行机构 Electric Actuator:

ZCZK 的阀门可以和各种品牌的电动执行机构配合使用，但 ZCZK 并不生产电动执行机构，具体型号请参考执行机构生产厂家的型号说明。

Our Valves can be used cooperatively with different brands of electric actuators, but we donnot produce electric actuators. Specific electric actuator models please take the manufacturer's introduction for reference.

P1234MS-16K-DN80-ALDB350-40

代码 Code	示例代表意义 Meanings	
P1	顶部导向单座阀	Top Guided Single Seated Valves
2	等百分比	Eq%
3	阀体 18-8 不锈钢	18Cr8Ni Stainless Steel(Body)
4	阀内件奥氏体不锈钢	Austenite Stainless Steel(Trim)
M	金属硬密封阀座	Metal Hard Sealing(Seat)
S	标准型阀盖	Standard(Bonnet)
16	1.6Mpa	1.6Mpa
K	信号增加阀开启	Open When Single Increase
DN80	DN80	DN80
A	气动执行机构	Pneumatic Actuator
L	直行程	Linear(PA Motion type)
D	膜片式	Diaphragm
B	单作用反作用	Spring Return Reverse Action
350	缸径 350mm	Bore 350mm
40	行程 40mm	Stroke: 40mm

R9034SS-300K3"- ARFB200-90°

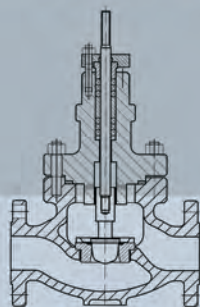
代码 Code	示例代表意义 Meanings	
R9	浮动球硬密封球阀	Metal Sealing Floating Ball Valves
0	通断两位	On - Off
3	阀体 18-8 不锈钢	18Cr8Ni Stainless Steel(Body)
4	阀内件奥氏体不锈钢	Austenite Stainless Steel(Trim)
S	喷涂硬化阀座	Spraying Hardening(Seat)
S	标准型阀盖	Standard(Bonnet)
300	300LB	300lb
K	信号增加阀开启	Open When Single Increase
A	气动执行机构	Pneumatic Actuator
R	角行程	Angle(PA Motion type)
F	拨叉式	Scotch Yoke
B	单作用反作用	Spring Return Reverse Action
200	缸径 200mm	Bore 200mm
90	行程 90°	Angle: 90 Degrees

W8424MS-2.5L-DN2000-Rotork(IQ2534-IW92)

代码 Code	示例代表意义 Meanings	
W8	三偏心密封型蝶阀	Triple Eccentric Seal Butterfly Valves
4	近似百分比	Approximate Eq%
2	阀体 18-8 不锈钢	18Cr8Ni Stainless Steel(Body)
4	阀内件奥氏体不锈钢	Austenite Stainless Steel(Trim)
M	金属硬密封阀座	Metal Hard Sealing(Seat)
S	标准型阀盖	Standard(Bonnet)
2.5	0.25Mpa	0.25Mpa
L	断电原位	Hold Position When Power Off
DN2000	DN2000	DN2000
Rotork	电动执行机构品牌	Electric Actuator Brand
IQ2534-IW92	电动执行机构型号	Electric Actuator Type

● 性能特点 Performance Features

- 单座阀采用低流阻设计，流道简单，流通能力大；
- 体积小，重量轻，结构简单，性能可靠，不易卡堵；
- 流体压力不平衡型阀芯结构，允许工作压差较低；
- 易制成：
 - 1: 波纹管密封型
 - 2: 蒸汽夹套型
 - 3: 散热片型上阀盖
 - 高温用 (+230~+538°C)
 - 低温用 (-45~-5°C)
 - 4: 加长型上盖
 - I型上阀盖低温用 (-100~-45°C)
 - II型上阀盖低温用 (-196~-100°C)
- 是常压差流体控制最合适的调节阀。



- Low flow obstacle design, great flow capacity with simple runners.
- Dependable-performance valve with small size, light weight and simple structure.
- Pressure unbalanced type plug for low differential pressure fluids service.
- It can be easy made into the following types:
 - 1: Bellow seated type
 - 2: Steam jacketed type
 - 3: Fin-extension type bonnet
 - For high pressure (+230~+538°C)
 - For low pressure (-45~-5°C)
 - 4: Long-extension type bonnet
 - For type I low Temp. (-100~-45°C)
 - For type II low Temp. (-196~-100°C)
- Most suitable control valve for fluids of conventional differential pressure.

● 标准规格 Standard Specifications

公称口径	Body size	DN15~200(1/2"~8")
公称压力	Body rating	HG20592-2009 PN16、PN25、PN40、PN63、PN100、PN160 ANSI 150#、300#、600#、900#、1500#
阀体材质	Body material	WCB、CF8、CF8M, etc.
连接方式	Connection	法兰型(RF、RJ、MFM) 焊接型(SW、BW)
流量特性	Characteristics	IEC 标准百分比(IEC standard Eq%) IEC 标准线性(IEC standard Linear)-0.14、0.28、0.52、0.96、1.6、2.5、4.....
可调比 R	Rangeability	30:1(Cv=0.14、0.28、0.52、0.96), 50:1(Cv≥1.6)
工作温度	Temp.	-196~+538°C
阀座允许泄漏量	Leakage	硬密封(Hard sealing)ANSI CLASS IV、V 软密封(Soft sealing)ANSI CLASS VI

P3000高压单座阀

High Pressure Single Seat Valves



● 性能特点 Performance Features

- 阀座通过压套由上盖固定；
- 采用不平衡型阀芯结构；
- 特别适用于料浆、聚合物、结晶体及高温流体。



- The seat is fixed by pressing sleeve followed by bonnet.
- Pressure Unbalanced type plug.
- Especially suited for slurry, polymer, slurry materials or high temperature fluids.

● 标准规格 Standard Specifications

公称通径	Body size	DN25~100(1"~4")
公称压力	Body rating	HG20592-2009 PN100、PN160 ; PN 250 ANSI 600#、900#、1500#、2500#
阀体材质	Body material	WCB、CF8、CF8M、A105、F304、F316, etc.
连接方式	Connection	法兰型(RF、RJ、MFM) 焊接型(SW、BW)
流量特性	Characteristics	IEC 标准百分比(IEC standard Eq%) IEC 标准线性(IEC standard Linear)
可调比 R	Rangeability	50:1
工作温度	Temp.	-196~+565℃
阀座允许泄漏量	Leakage	硬密封(Hard sealing)ANSI CLASS IV、V

● 性能特点 Performance Features

- 流体压力不平衡型阀芯；
 - 阀体阀芯全部衬塑；
 - 波纹管密封型上盖为标准结构；
 - 适合各种强腐蚀介质。
- Pressure unbalanced type plug.
 - Both the body and plug have plastic lining.
 - Bellows seated bonnet is the standard structure.
 - Suited for different corrosive service medium.



● 标准规格 Standard Specifications

公称通径	Body size	DN15~200(1/2"~8")
公称压力	Body rating	HG20592-2009 PN16、PN25、PN40、PN63 ANSI 150#、300#
阀体材质	Body material	WCB、CF8, etc. 内衬材料(Lining): PTFE、F46, etc.
连接方式	Connection	法兰型(RF)
流量特性	Characteristics	IEC 标准百分比(IEC standard Eq%) IEC 标准线性(IEC standard Linear)
可调比 R	Rangeability	30:1
工作温度	Temp.	-20~+200°C
阀座允许泄漏量	Leakage	软密封(Soft sealing)ANSI CLASS IV、VI

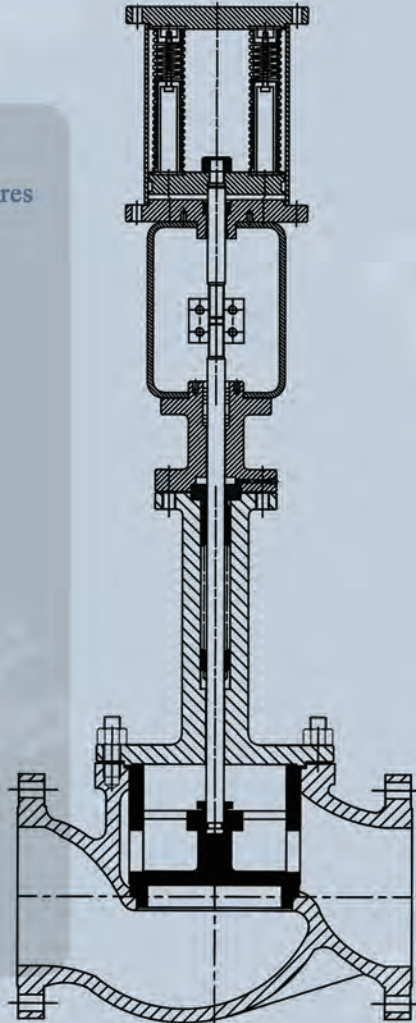
P5000快速切断单座阀

Rapid Cut-off Single Seated Globe Valves



● 性能特点 Performance Features

- 不平衡阀芯，
- 阀座通过阀盖固定；
- 软硬双重密封结构保证零泄露；
- 特殊硬密封结构保证长寿命。



- Unbalance plug.
- The seat is fixed by pressing sleeve followed by bonnet.
- Metal and soft double sealing structure guarantees zero leakage.
- Long life by special metal sealing structure.

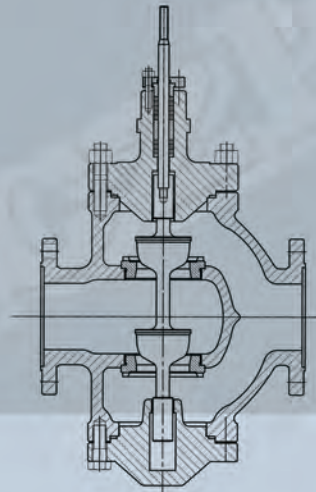
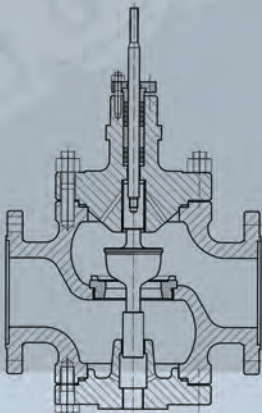
● 标准规格 Standard Specifications

公称通径	Body size	DN25~300(1"~12")
公称压力	Body rating	HG20592-2009 PN16、PN25、PN40、PN63、PN100、PN160 ,etc. ANSI 150#、300#、600#、900#、1500#
阀体材质	Body material	WCB、CF8、CF8M, etc.
连接方式	Connection	法兰型(RF、RJ、MFM) 焊接型(SW、BW)
流量特性	Characteristics	开关两位(On-Off)
工作温度	Temp.	-196~+538℃
阀座允许泄漏量	Leakage	硬密封(Hard sealing)ANSI CLASS V、VI 软密封(Soft sealing)ANSI CLASS VI

● 性能特点 Performance Features

- P6不平衡阀芯结构, N6平衡阀芯型
- 上下导向, 动态稳定性好;
- 适合含固体颗粒介质, 不卡堵, 易清洁;
- 适合制造大口径单座调节阀。

- P6 Unbalance plug, N6 balance plug.
- Up and down direction guide, good dynamic stability
- No plugging and easy to be cleaned, suited to medium which contains solid particle
- Suited to made into a large body size single seated control valve



● 标准规格 Standard Specifications

公称通径	Body size	DN20~350(3/4"~14")
公称压力	Body rating	HG20592-2009 PN16、PN25、PN40、PN63 ANSI 150#、300#、600#
阀体材质	Body material	WCB、CF8、CF8M、etc.
连接方式	Connection	法兰型(RF、RJ、MFM) 焊接型(SW、BW)
流量特性	Characteristics	IEC 标准百分比(IEC standard Eq%)、IEC 标准线性(IEC standard Linear)
可调比 R	Rangeability	30:1
工作温度	Temp.	-196~+538°C
阀座允许泄漏量	Leakage	硬密封(Hard sealing)ANSI CLASS IV、V 软密封(Soft sealing)ANSI CLASS VI

P8000调节切断型单座阀

Adjust Cut-off Single Seated Globe Valves

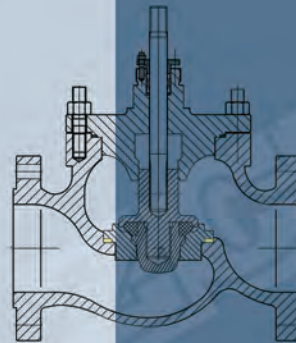


● 性能特点 Performance Features

- 不平衡阀芯；
- 软硬双重密封结构保证零泄露；
- 调节性能和P1000一样优异。



- Unbalance plug.
- Metal and soft double sealing structure guarantees zero leakage.
- High performance, the same as P1000.

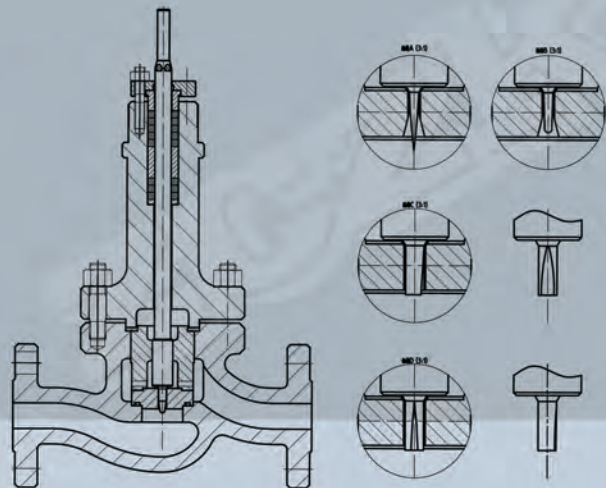


● 标准规格 Standard Specifications

公称通径	Body size	DN20~200(3/4"~8")
公称压力	Body rating	HG20592-2009 PN16、PN25、PN40、PN63 ANSI 150#、300#、600#
阀体材质	Body material	WCB、CF8、CF8M、etc.
连接方式	Connection	法兰型(RF、RJ、MFM) 焊接型(SW、BW)
流量特性	Characteristics	IEC 标准百分比(IEC standard Eq%)、IEC 标准线性(IEC standard Linear)
可调比 R	Rangeability	30:1
工作温度	Temp.	-20~+200°C
阀座允许泄漏量	Leakage	软密封(Soft sealing)ANSI CLASS VI

● 性能特点 Performance Features

- 适用于小流量场合的控制;
- 特殊的设计确保阀芯不易折断;
- 有多种节流方案适合不同的介质。
- Covers minimum flow applications.
- Small plug specially designed not to break off.
- A variety of throttling plan suitable for different medium.



● 标准规格 Standard Specifications

公称通径	Body size	DN15~25(1/2"~1")
公称压力	Body rating	HG20592-2009 PN16、PN25、PN40、PN63 ANSI 150#、300#、600#
阀体材质	Body material	WCB、CF8、CF8M、etc.
连接方式	Connection	法兰型(RF、RJ、MFM) 焊接型(SW、BW)
流量特性	Characteristics	IEC 标准线性(IEC standard Linear)
可调比 R	Rangeability	5:1—30:1
工作温度	Temp.	-45~+538℃
阀座允许泄漏量	Leakage	硬密封(Hard sealing)ANSI CLASS IV、V

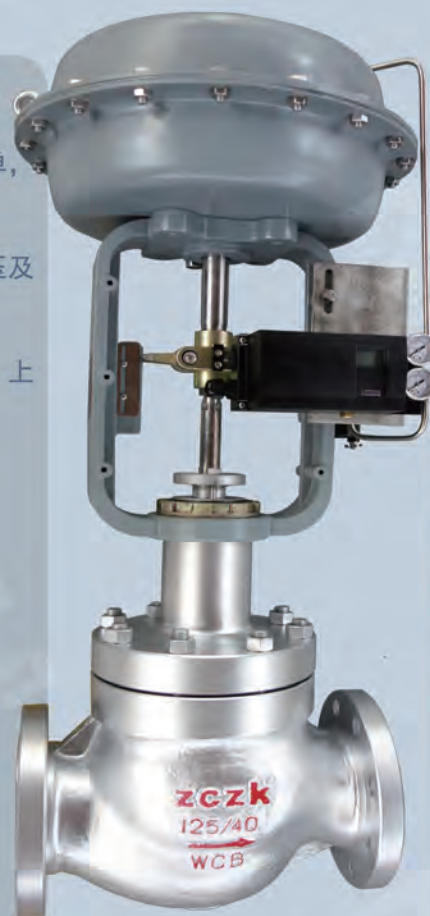
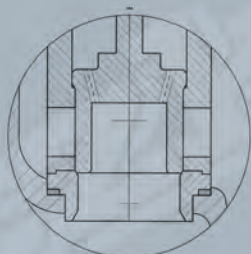
M1000双座套筒阀

Double Seated Cage Guided Control Valves



● 性能特点 Performance Features

- 阀腔采用最新的低流阻设计，流道简单，流通能力大；
- 流体压力平衡型阀芯结构，适用于中压及中等压差流体的控制；
- 阀内件易于装拆、更换及维护，阀体、上阀盖同M2000具有较好的互换性



- Low flow obstacle design, great flow capacity with simple runners.
- Pressure Balanced type plug for medium pressure or medium differential pressure fluids service.
- The trim can be easy exchanged or maintained, the body and the bonnet are interchangeable with M2000.

● 标准规格 Standard Specifications

公称通径	Body size	DN25~200(1"~8")
公称压力	Body rating	HG20592-2009 PN16、PN25、PN40、PN63、PN100、PN160 ANSI 150#、300#、600#、900#、1500#
阀体材质	Body material	WCB、CF8、CF8M、etc.
连接方式	Connection	法兰型(RF、RJ、MFM) 焊接型(SW、BW)
流量特性	Characteristics	IEC 标准百分比(IEC standard Eq%) IEC 标准线性(IEC standard Linear)
可调比 R	Rangeability	50:1
工作温度	Temp.	-45~+538°C
阀座允许泄漏量	Leakage	硬密封(Hard sealing)ANSI CLASS IV

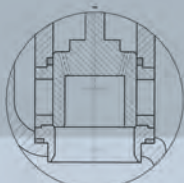
Single Seated /Multi-hole Cage Guided Control Valves/Adjust Shutoff Valves

● 性能特点 Performance Features

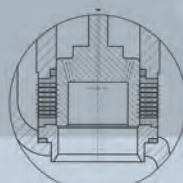
- 球形阀型腔全部采用最新的低流设计，流道简单，流通能力大；
- 动态稳定性好，适用于苛刻条件流体的控制；
- 流体压力平衡型阀芯结构，适用于高压及较高压差流体的控制；
- 阀内件易于装拆、更换及维护；
- 散热片型上阀盖
高温用 (+230~+538°C)
低温用 (-45~-5°C)
- 加长型上阀盖
I型上阀盖低温用
(-100~-45°C)
II型上阀盖低温用
(-196~-100°C)



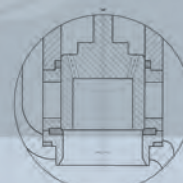
- The latest single seated cage guided control valve has simple runners and great flow capacity.
- It is suitable to a variety of heavy duty services because of its great dynamic stability.
- It is characterized by pressure balanced type trim for high pressure and high pressure drops.
- The trim is easy to be changed or maintained.
- Fin-extension type bonnet
For high pressure (+230~+538°C)
For low pressure (-45~-5°C)
- Long-extension type bonnet
For type I low Temp. (-100~-45°C)
For type II low Temp. (-196~-100°C)



M2000



M3000



M8000

● 标准规格 Standard Specifications

公称通径	Body size	DN25~450(1"~18")
公称压力	Body rating	HG20592-2009 PN16、PN25、PN40、PN63、PN100、PN160 ANSI 150#、300#、600#、900#、1500#、2500#
阀体材质	Body material	WCB、CF8、CF8M, etc.
连接方式	Connection	法兰型(RF、RJ、MFM) 焊接型(SW、BW)
流量特性	Characteristics	IEC 标准百分比(IEC standard Eq%) IEC 标准线性(IEC standard Linear)
可调比 R	Rangeability	50:1
工作温度	Temp.	-45~+538°C / -45~+230°C
阀座允许泄漏量	Leakage	硬密封(Hard sealing)ANSI CLASS IV、V 软密封(Soft sealing)ANSI CLASS VI

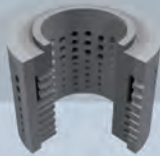
M4000多级式套筒阀/M5000迷宫式套筒阀 / M7000盘片式套筒阀 Multi-level/Labyrinth/Disk Cage Guided Control Valves



● 性能特点 Performance Features

- 适用于高压及高压差流体的控制；
- 有效降低流体通过阀门时的速度
- 有效解决气蚀，噪音等问题；
- 可压缩流体和不可压缩流体均可保证精确控制和长寿命

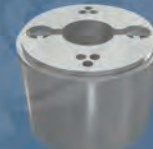
- Suitable for high pressure or high differential pressure fluids service.
- Effectively reduce the flow rate.
- Free from cavitation erosion and noise problems.
- Promises accurate control and long term whether the fluid is compressive or non-compressive.



M4000



M5000



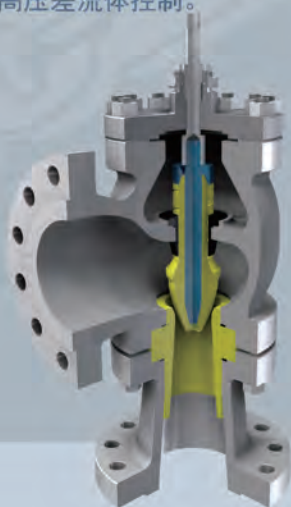
M7000

● 标准规格 Standard Specifications

公称通径	Body size	DN25~450(1"~18")
公称压力	Body rating	HG20592-2009 PN16、PN25、PN40、PN63、PN100、PN160 ,etc. ANSI 150#、300#、600#、900#、1500#、2500#
阀体材质	Body material	WCB、CF8、CF8M, etc.
连接方式	Connection	法兰型(RF、RJ、MFM) 焊接型(SW、BW)
流量特性	Characteristics	IEC 标准百分比(IEC standard Eq%) IEC 标准线性(IEC standard Linear)
可调比 R	Rangeability	50:1—20:1
工作温度	Temp.	-45~+565°C / -45~+230°C
阀座允许泄漏量	Leakage	硬密封(Hard sealing)ANSI CLASS IV、V

● 性能特点 Performance Features

- 阀体采用渐变流道设计；
- 阀体采用流体介质自隔离的平衡式自循环结构；
- 阀芯阀座由整体碳化物烧结而成；
- 文丘里渐扩管设计；
- 阀座采用下压式结构，易保养维护；
- 适用于煤化工中激冷室、碳洗塔及闪蒸罐等场合的高压差流体控制。



Gradually varied flow channel design.

The plug is guided by partition.

The valve seat and plug are sintered by overall carbide.

Divergent Venturi tube design.

The seat use downstroke structure, easy to be maintained.

Suited for high differential pressure fluid control of quench chamber, syngas scrubber and flash vaporization vessel in coal chemical industry.

● 标准规格 Standard Specifications

公称通径	Body size	DN25~300(1"~12")
公称压力	Body rating	HG20592-2009 PN16、PN25、PN40、PN63、PN100、PN160 ,etc. ANSI 150#、300#、600#、900#、1500#
阀体材质	Body material	WCB、WCC、CF8、CF8M、WC6、WC9、CF8C, etc.
连接方式	Connection	法兰型(RF、RJ)
流量特性	Characteristics	IEC 标准百分比(IEC standard Eq%) IEC 标准线性(IEC standard Linear)
可调比 R	Rangeability	30:1
工作温度	Temp.	-196~+565°C
阀座允许泄漏量	Leakage	硬密封(Hard sealing)ANSI CLASS IV、V

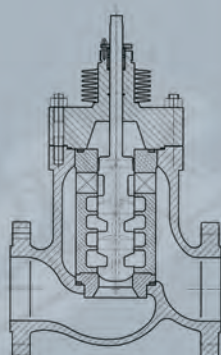
J6000多段式阀芯型角阀/M6000多段式套筒阀



Multistage Plug Type Angle Valves/Multistage Cage Guided Control Valves

● 性能特点 Performance Features

- 适合高压差流体，防空化，气蚀效果好；
- 抗颗粒效果好，不会卡阻；
- 密封面0%—15%的盲区设计保护密封面，使用寿命长；
- 严密关闭，正常为V级；
- 标准阀体为锻件，可满足NACE_MR0175以及MR0103规定要求。



开度 0%



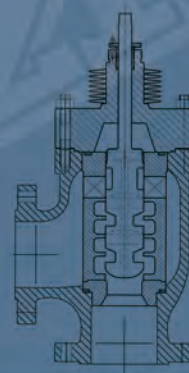
开度 10%



开度100%



- Suited for high differential pressure fluid, free from cavitation erosion problem.
- Avoid particle block.
- Special design in sealing surface to promise long life.
- V leakage level when tightly closed.
- Standard forging body, meet the NACE_MR0175 and MR0103 requirements.



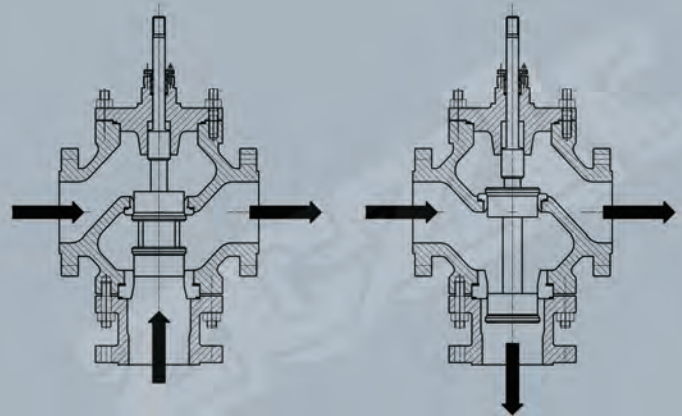
● 标准规格 Standard Specifications

公称通径	Body size	DN25~200(1"~8")
公称压力	Body rating	HG20592-2009 PN63、PN100、PN160 ,etc. ANSI 600#、900#、1500#、2500#
阀体材质	Body material	A105、F11、F22、F91、F304、F316、F347, etc.
连接方式	Connection	法兰型(RF、RJ、MFM) 焊接型(SW、BW)
流量特性	Characteristics	近似线性 (Approximate Linear)
可调比 R	Rangeability	6:1—25:1
工作温度	Temp.	-196~+538°C
阀座允许泄漏量	Leakage	硬密封(Hard sealing)ANSI CLASS V

● 性能特点 Performance Features

- N1合流型三通阀是将两路流体混合成一路流体；
- N2分流型三通阀是将一路流体分成两路流体；
- 当流体压力不高时也可用作三通切换阀。

- N1 3-Way Mixing Valves cover two flows into one.
- N2 3-Way Diverting Valves divide the flow into two directions.
- Can also serve as 3-Way Switch Valve when the pressure of fluid is not high.



● 标准规格 Standard Specifications

公称通径	Body size	DN20~300(3/4"~12")
公称压力	Body rating	HG20592-2009 PN16、PN25、PN40、PN63、PN100,etc. ANSI 150#、300#、600#
阀体材质	Body material	WCB、CF8、CF8M, etc.
连接方式	Connection	法兰型(RF、RJ、MFM) 焊接型(SW、BW)
流量特性	Characteristics	IEC 标准百分比(IEC standard Eq%)、IEC 标准线性(IEC standard Linear)、开关两位(On-Off)
可调比 R	Rangeability	30:1
工作温度	Temp.	-45~+538°C
阀座允许泄漏量	Leakage	ANSI CLASS III、IV 当为三通切换阀时为(3-Way Switch Valve)ANSI CLASS V、VI

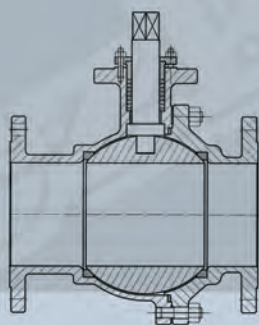
R1000 O型直通球阀

Straight Through Ball Valves



● 性能特点 Performance Features

- 切断性能优异，，流体压力损失小；
- 阀座为弹性软密封，有PTFE，强化PTFE，对位聚苯，PEEK等；
- 球体表面抛光或镀铬抛光；
- 可制成蒸汽夹套型；
- DN200以下为浮动球结构，DN200以上为固定球结构。



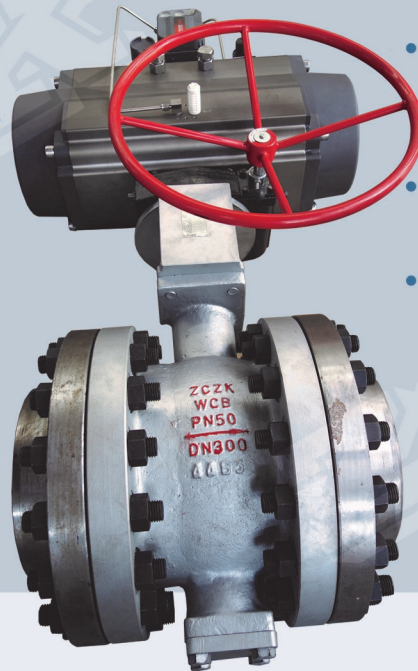
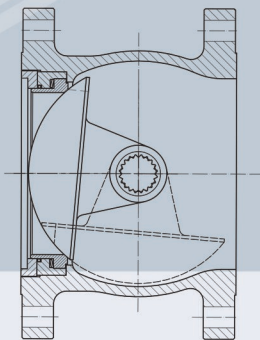
- High Cut off performance promises small fluid pressure loss.
- Elastic soft seating for the seat by PTFE, R.PTFE, PPL or PEEK, etc.
- Polishing sphere surface or polishing after chrome plating.
- Can be made into steam jacketed type.
- Floating ball structure for DN under 200, fixing ball structure for DN over 200.

● 标准规格 Standard Specifications

公称通径	Body size	全腔型 DN15~400(1/2"~16") 缩腔型 4"x3"-18"x16"
公称压力	Body rating	HG20592-2009 PN16、PN25、PN40、PN63、PN100,etc. ANSI 150#、300#、600#
阀体材质	Body material	WCB、CF8、CF8M, etc.
连接方式	Connection	法兰型(RF、MFM)
流量特性	Characteristics	开关两位(On-Off)
工作温度	Temp.	-45~+250°C
阀座允许泄漏量	Leakage	完全阻断无泄漏(No leakage)

● 性能特点 Performance Features

- 该阀门的部分球面阀板具有V形切口；
- 具有大的可调比；
- 切断时阀芯和阀座之间有剪切作用；
- 在高压场合使用时阀杆为贯通结构，适用于高温高压场合；
- 适用于含纤维质，浆料类流体的控制；
- 阀芯处理：镀硬铬或堆焊司太莱合金。
- Part of the spherical valve plate has v-notch cut.
- Large rangeability.
- Great Rotational shearing effect between the disc and seal ring when cut off.
- The structure of the stem passing through the ball can be used in high pressure and high Temp. occasions.
- Suited for controlling fluids which contains fiber or slurry.
- Disc treatment: Chrome plated or stellite plug.



● 标准规格 Standard Specifications

公称通径	Body size	DN25~300(1"~12")
公称压力	Body rating	HG20592-2009 PN16、PN25、PN40、PN63、PN100, etc. ANSI 150#、300#、600#
阀体材质	Body material	WCB、CF8、CF8M, etc.
连接方式	Connection	法兰型(RF、RJ) 对夹式(Wafer)
流量特性	Characteristics	IEC 标准百分比(IEC standard Eq%) IEC 标准线性(IEC standard Linear) 开关两位(On-Off)
可调比 R	Rangeability	100:1—500:1
工作温度	Temp.	-45~+538°C
阀座允许泄漏量	Leakage	硬密封(Hard sealing)ANSI CLASS IV、V 软密封(Soft sealing)ANSI CLASS VI

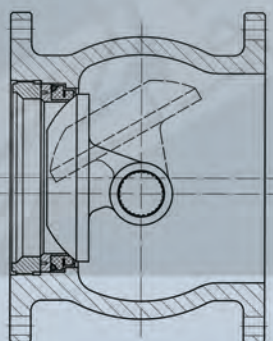
R3000偏心旋转调节阀

Eccentric Rotary Control Valves



● 性能特点 Performance Features

- 结构简单，流通能力大；
- 适用于浆料、高精度流体或含有少量颗粒物的流体的控制；
- 阀芯的偏心旋转结构使阀芯和阀座在调节过程中无磨损；
- 有较好的切断能力；
- 阀芯镀硬铬或堆焊司太莱合金。



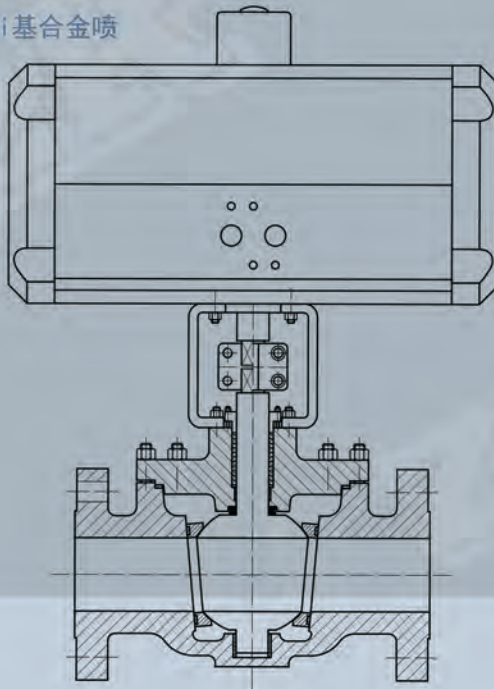
- Simple structure, large flow capacity.
- Suitable for controlling slurry, high precision fluid or fluid contains a small amount of particulate.
- Eccentric rotating structure makes no wear between the plug and the seat in the process of regulation.
- Great cut-off ability.
- Plug treatment: chrome plated or stellite.

● 标准规格 Standard Specifications

公称通径	Body size	DN25~300(1"~12")
公称压力	Body rating	HG20592-2009 PN16、PN25、PN40、PN63, etc. ANSI 150#、300#、600#
阀体材质	Body material	WCB、CF8、CF8M, etc.
连接方式	Connection	法兰型(RF、RJ) 对夹式(Wafer)
流量特性	Characteristics	近似线性(Approximate Linear)
可调比 R	Rangeability	100:1
工作温度	Temp.	-45~+400℃
阀座允许泄漏量	Leakage	硬密封(Hard sealing)ANSI CLASS IV、V 软密封(Soft sealing)ANSI CLASS VI

● 性能特点 Performance Features

- 球面磨损后有自动补偿功能，使长时间使用后泄漏降到最小；
- 是一种专门用来切断粉料流体的球阀；
- 在低压，小口径时为浮动球，在高压，大口径时为固定球；
- 球体镀铬或喷涂WC, Cr₃C₂, Ni基合金喷焊等。



- Automatically compensate after Spherical surface abraded, minimize the leakage after long time using.
- Specific ball valve designed to cut off the slurry and the abrasive fluid;
- Floating ball for low pressure and small body size ; fixed ball for high pressure, large body size;
- The ball is hard coated with chrome 、 chrome carbides、 tungsten carbide or self-fluxing alloy.

● 标准规格 Standard Specifications

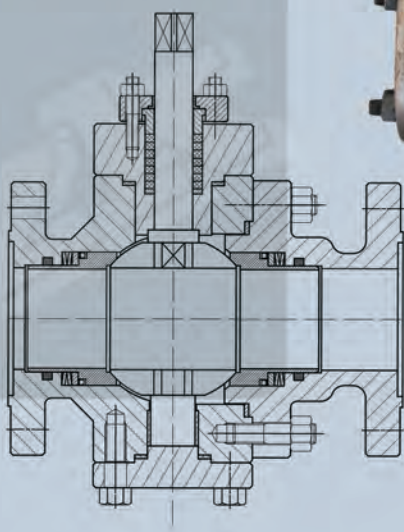
公称口径	Body size	DN25~300(1"~12")
公称压力	Body rating	HG20592-2009 PN16、PN25、PN40、PN63、PN100、PN160 ,etc. ANSI 150#、300#、600#、900#、1500#
阀体材质	Body material	WCB、CF8、CF8M, etc.
连接方式	Connection	法兰型(RF、RJ、MFM)
流量特性	Characteristics	开关两位(On-Off)
工作温度	Temp.	-45~+400°C
阀座允许泄漏量	Leakage	硬密封(Hard sealing)ANSI CLASS V 软密封(Soft sealing)ANSI CLASS VI
处理	Treatment	球：碳化钨，碳化铬，自溶性合金，镀铬 密封环：碳化钨，碳化铬，司太莱合金，R.PTFE (Ball Treatment: Tungsten Carbide/Chrome Carbide/Self-Fluxing Alloy/Chrome plated) (Seat Treatment: Tungsten Carbide/Chrome Carbide/Stellited/R.PTFE)

R6000固定球硬密封球阀

Metal Sealing Fixed Ball Valves

● 性能特点 Performance Features

- 双向密封;
- 密封面承压较小, 介质作用力由固定轴承受;
- 开关扭矩较小;
- 多种阀体硬化方案可选;
- 阀座刮刀设计, 有自清洁功能防止异物进入密封面。



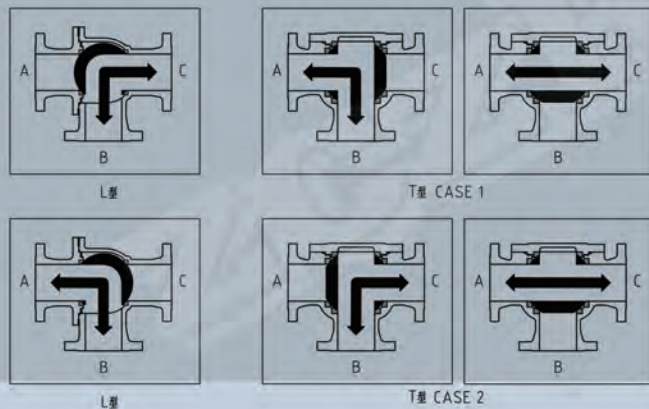
- Two-way sealing;
- Small pressure on the sealing surface, fixed axle take the medium force;
- Small switch torque;
- A variety of body hardening plans are optional;
- The seat scraper design, creates self-cleaning function to prevent foreign matter reomventering into the sealing surface.

● 标准规格 Standard Specifications

公称通径	Body size	DN50~600(2"~24")
公称压力	Body rating	HG20592-2009 PN16、PN25、PN40、PN63、PN100,etc. ANSI 150#、300#、600#、900#、1500#
阀体材质	Body material	WCB、CF8、CF8M, etc.
连接方式	Connection	法兰型(RF)
流量特性	Characteristics	开关两位(On-Off)
工作温度	Temp.	-45~+538°C
阀座允许泄漏量	Leakage	硬密封(Hard sealing)ANSI CLASS V、VI
处理	Treatment	球: 碳化钨, 碳化铬, 自溶性合金, 陶瓷 密封环: 碳化钨, 碳化铬, 司太莱合金 (Ball Treatment: Tungsten Carbide/Chrome Carbide/Self-Fluxing Alloy)/Ceramic) (Seat Treatment: Tungsten Carbide/Chrome Carbide/Stellited)

● 性能特点 Performance Features

- 三通型球阀分成L型和T型两种：
L型采用2面阀座，用于流路的换向，
T型采用4面阀座，受力平衡，密封可靠，用于分流，混气，换向及三通道完全开放；
- 结构简单，直观，流阻小，维护方便。
- 3-Way ball valves has two types, type L and type T :
Type L: 2 sides of seats, used for reversing flow,
Type T : 4 sides of seats, force balance, reliable sealing, is used to separate flow , mix gas, reverse or three-channel completely open;
- Simple Structure, intuitive and small flow resistance, convenient to be maintained.



● 标准规格 Standard Specifications

公称通径	Body size	DN25~300(1"~12")
公称压力	Body rating	HG20592-2009 PN16、PN25、PN40 ANSI 150#、300#
材质	Material	阀体材质(Body material): WCB、CF8、CF8M, etc. 密封环材质(Sealing ring material): PTFE、强化聚四氟乙烯等(PTFE、R.PTFE) 球体材质(Ball material): F304, F316, etc.
连接方式	Connection	法兰型(RF)
工作温度	Temp.	-20~+200°C
阀座允许泄漏量	Leakage	ANSI CLASS VI 完全切断无泄漏(No Leakage when completely cut off)
处理	Treatment	球: 镀铬, 抛光 (Ball Treatment: Chromed plated or polishing)

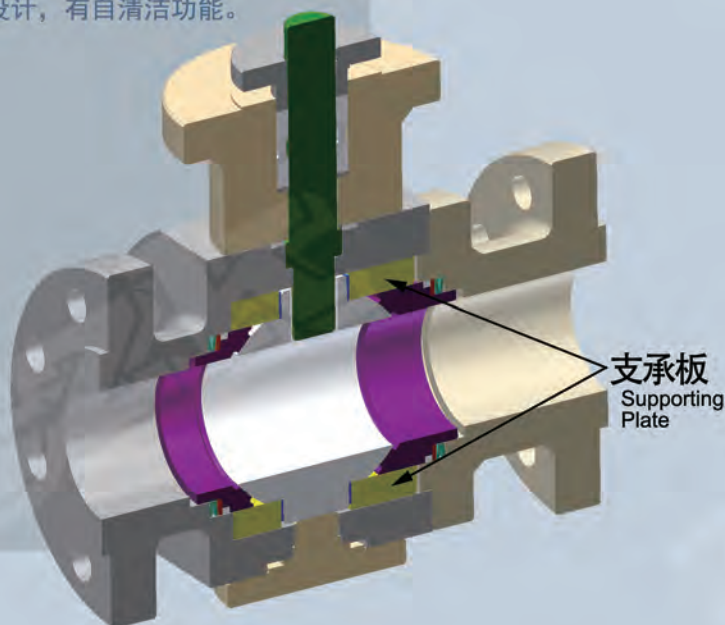
R8000高压球阀

High Pressure Ball Valves



● 性能特点 Performance Features

- 支承板固定球结构，介质作用力由支承板传递给阀体承受；
- 全部为硬密封结构；
- 双向密封，开关扭矩较小；
- 多种球体和阀座硬化组合方案可选；
- 阀座刮刀设计，有自清洁功能。



- Support plate and fixed ball structure, medium force beared by the body transferred from the support plate;
- Metal sealing;
- Two-way sealing, small switch torque;
- A variety of ball and seat hardening combination plans are optional;
- The seat scraper design, creat self-cleaning function.

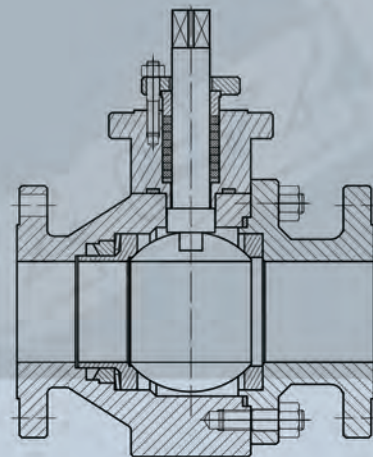
● 标准规格 Standard Specifications

公称通径	Body size	DN50~400(2"~16")
公称压力	Body rating	HG20592-2009 PN100、PN160, etc. ANSI 600#、900#、1500#、2500#
阀体材质	Body material	阀体材质(Body material): WCB、CF8、CF8M、A105、F304、F316, etc.
连接方式	Connection	法兰型(RF、RJ)
流量特性	Characteristics	开关两位(On-Off)
工作温度	Temp.	-45~+600°C
阀座允许泄漏量	Leakage	硬密封(Hard sealing)ANSI CLASS V、VI
处理	Treatment	球: 碳化钨, 碳化铬, 自溶性合金 密封环: 碳化钨, 碳化铬, 司太莱合金堆焊 (Ball Treatment: Tungsten Carbide/Chrome Carbide/Self-Fluxing Alloy) (Seat Treatment: Tungsten Carbide/Chrome Carbide/Stellited)

● 性能特点 Performance Features

- 此阀为出口端密封;
- 特别适合于温度变化大的场合及高温场合;
- 多种球面和阀座硬化组合方案可选, 阀座刮刀设计, 有自清洁功能。

- Outlet sealing;
- Particularly suited to the occasions of high Temp. and large Temp. difference.
- A variety of ball and seat hardening combination plans are optional; Seat blade design creates self-cleaning function.



● 标准规格 Standard Specifications

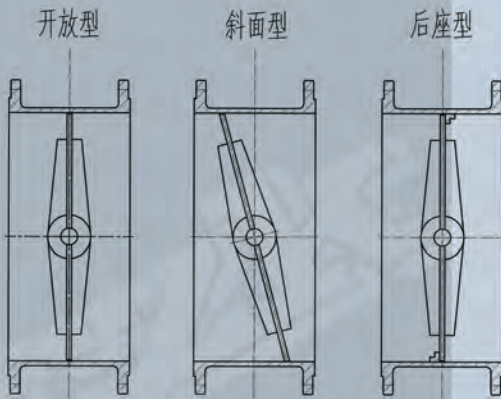
公称通径	Body size	DN15~300(1/2"~12")
公称压力	Body rating	HG20592-2009 PN16、PN25、PN40、PN63、PN100、PN160, etc. ANSI 150#、300#、600#、900#、1500#、2500#
阀体材质	Body material	阀体材质(Body material): WCB、CF8、CF8M、A105、F304、F316, etc.
连接方式	Connection	法兰型(RF、RJ)
流量特性	Characteristics	开关两位(On-Off)
工作温度	Temp.	-45~+600°C
阀座允许泄漏量	Leakage	硬密封(Hard sealing)ANSI CLASS V、VI
处理	Treatment	球面: 喷涂碳化钨, 碳化铬, 陶瓷材料, 自溶性合金喷焊 密封环: 喷涂碳化钨, 碳化铬, 陶瓷材料, 司太莱合金堆焊 (Ball Treatment: Tungsten Carbide/Chrome Carbide/Ceramic materials/Self-Fluxing Alloy) (Seat Treatment: Tungsten Carbide/Chrome Carbide/Ceramic materials/ Stellite)

W1000开放型 / W2000斜面型 / W3000后座型蝶阀 Open Type, Inclined Disc Type, Back Seated Type Butterfly Valves



● 性能特点 Performance Features

- 阀体结构简单，重量轻，阀体阀板均由钢板焊接而成；
- 易制成大口径阀门；
- 适用于各种高低温气体的控制；
- 适合控制各种低压气体。



- Compact and simple structured, the body and the disc are welded by steel plate.
- Easy to be made into large body size valves.
- Suitable for controlling all kinds of high and low temperature gas.
- Suitable for controlling all kinds of low pressure gas.

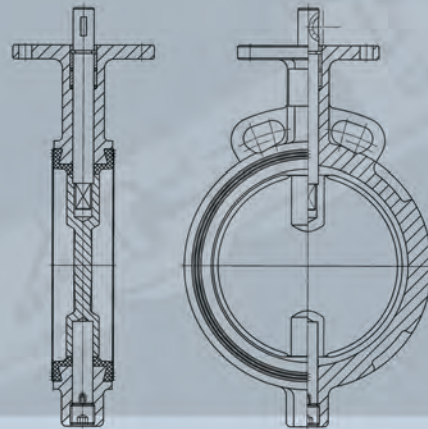
● 标准规格 Standard Specifications

公称通径	Body size	DN80~3000(3"~120")
公称压力	Body rating	PN1、PN2.5、PN6、PN10, etc.
阀体材质	Body material	Q235、Q345、304、316、WCB, etc.
阀板形式	Disc type	开放型(Open), 后座型(Back seat), 15° 密封型
连接方式	Connection	法兰型(RF) 焊接型(BW) 对夹式(Wafer)
流量特性	Characteristics	近似等百分比(Approximate Eq%)
可调比 R	Rangeability	60°: 15:1 90°: 30:1-100:1
工作温度	Temp.	-45~+600°C
阀座允许泄漏量	Leakage	90°Cv×5.0-1.5% 90°Cv×0.5-0.2% 90°Cv×0.3-0.1%

● 性能特点 Performance Features

- 适用于各类酸碱，污水等腐蚀性流体；
- 采用对夹式安装，结构简单；
- 内衬有塑料和橡胶多种材质可选；
- 适用于气体，液体的调节和切断。

- Suitable for all kinds of corrosion fluids such as acid, alkali and sewage, etc.
- Wafer assembled, simple structured.
- Plastic, rubber and variety of Lining are optional;
- Suited for adjustment or cut-off of gas and liquid.



● 标准规格 Standard Specifications

公称口径	Body size	DN50~1000(2"~40")
公称压力	Body rating	PN10, PN16 ANSI 150#
材质	Material	阀体(Body): WCB、HT200、CF8, etc. 内衬(Lining): PTFE、F46、橡胶(Rubber), etc. 阀板(Disc): CF8、CF8M、PTFE、F46, etc.
连接方式	Connection	对夹式(Wafer)
流量特性	Characteristics	近似等百分比(Approximate Eq%) 开关两位(On-Off)
可调比 R	Rangeability	15:1-30:1
工作温度	Temp.	-30~+200°C
阀座允许泄漏量	Leakage	ANSI CLASS VI, No leakage

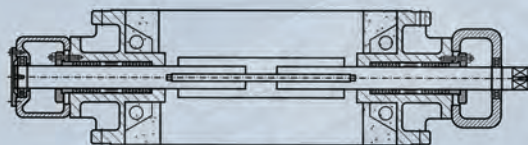
W6000高温型蝶阀

High Temp. Butterfly Valves



● 性能特点 Performance Features

- 适用于各种高温烟气的控制;
- 可以有效切断高温烟气, 内泄漏小;
- 能适应各种硫应力腐蚀的场合;
- 阀门外表面温度较低, 安全可靠;
- 先进的密封结构和外装轴承结构, 有效保证长寿命。



- Suitable for controlling all kinds of high Temp. flue gas;
- Effectively cut off the high temperature flue gas.
- Adapt to all kinds of sulfur corrosion occasions;
- Temp. of the outer surface is low, safe and reliable;
- Advanced sealing and external bearing structure, effectively guarantees the long life of this valve.

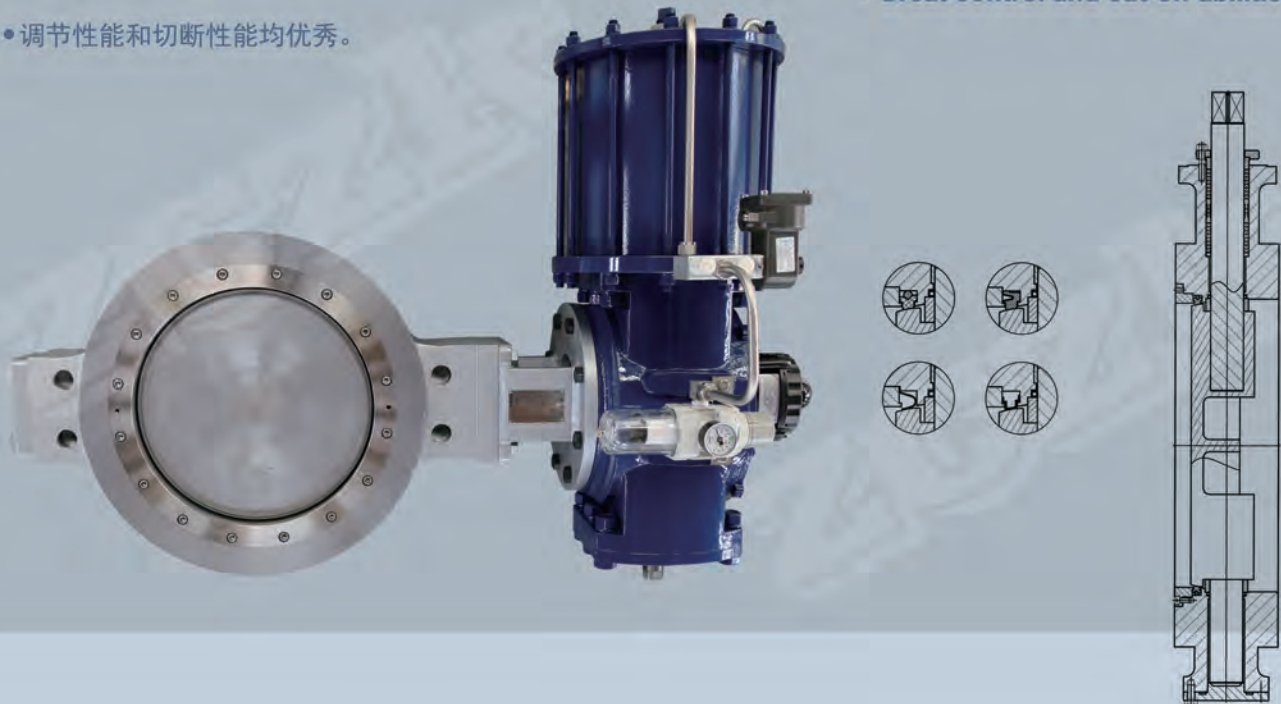
● 标准规格 Standard Specifications

公称通径	Body size	DN200~3000(8"~120")
公称压力	Body rating	PN1.0, PN2.5
材质	Material	阀体(Body): Q235、304、347H, etc. 阀板(Disc): 321、347H、镍基合金(Self-fluxing alloy), etc. 内衬(Ling): 高温水泥(high Temp. cement)、耐火浇注料(refractory castable)、347H、镍基合金(Self-fluxing alloy), etc.
连接方式	Connection	法兰(RF) 焊接(BW)
流量特性	Characteristics	近似等百分比(Approximate Eq%) 开关两位(On-Off)
工作温度	Temp.	-45~+1200°C
阀座允许泄漏量	Leakage	90°Cv×5.0—1.5% 90°Cv×0.5—0.2% 90°Cv×0.3—0.1%

● 性能特点 Performance Features

- 该系列阀门有单偏心和双偏心两种形式，分别用于大口径和小口径的场合；
- 此为部分球面阀板和弹性斜面密封环密封结构；
- 调节性能和切断性能均优秀。

- This series has single eccentric valve with large body size and double eccentric valve with small body size;
- Special Sealing structure;
- Great control and cut-off abilities.



● 标准规格 Standard Specifications

公称通径	Body size	DN80~2000(8"~80")
公称压力	Body rating	PN10, PN16, PN40 ANSI 150#,300#,600#
材质	Material	阀体(Body): WCB、CF8、CF8M, etc. 阀板(Disc): WCB、CF8、CF8M, 阀板处理(Disc treatment): 镀硬铬(Chrome plated), 堆焊司太莱合金(Stellited), etc.
阀板形式	Disc Type	部分球面单偏心(Partial spherical single eccentric), 双偏心旋转(Rotating double eccentric)
连接方式	Connection	法兰型(RF) 对夹型(Wafer)
流量特性	Characteristics	近似等百分比(Approximate Eq%) 开关两位(On-Off)
工作温度	Temp.	-196~+538°C
阀座允许泄漏量	Leakage	硬密封(Hard sealing)ANSI CLASS IV、V 软密封(Soft sealing)ANSI CLASS VI

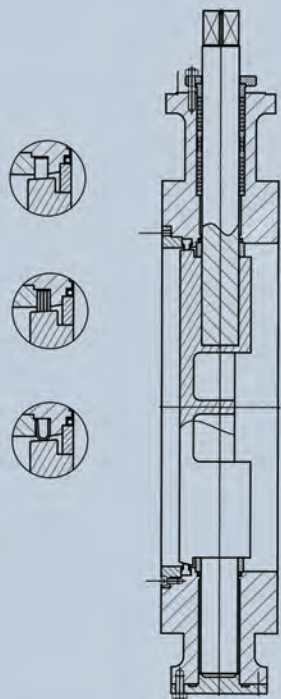
W8000三偏心密封型蝶阀

Triple Eccentric Seal Type Butterfly Valves



● 性能特点 Performance Features

- 三偏心阀板和阀座几乎无磨损;
- 阀座具有双向密封性, 可双向承压;
- 开启力矩小, 轻巧方便, 可制造大口径;
- 有多层次阀座、整体金属环阀座、U型合金环阀座3种形式可选, 很容易制成保温夹套型, 散热片型等;
- 密封面有斜面对斜面和斜面对球面两种形式。



- The disc and the seat of triple eccentric valves almost have no abrasion;
- The seat has two-way sealing, can bear pressure from two ways;
- Small open torque, compact and convenient, can make large body size;
- The following three forms can be made: multilayer seat, overall metal ring seat and u-shaped alloy ring seat. Easy to made into Insulation jacketed type and Fin-extension type, etc.;
- Double inclined plane sealing surface or inclined plane with spherical plane sealing surface.

● 标准规格 Standard Specifications

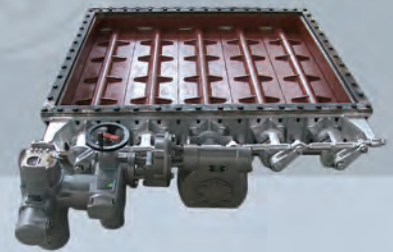
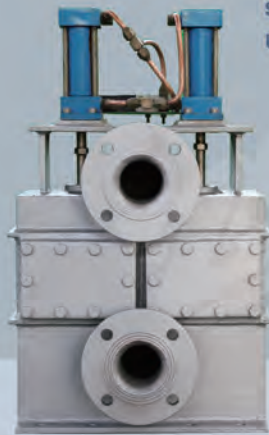
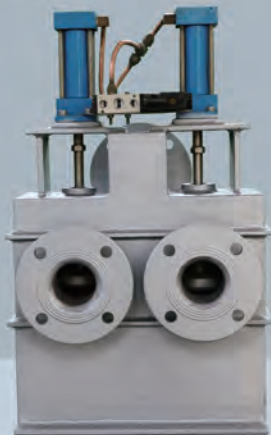
公称通径	Body size	DN80~2400(3"~96")
公称压力	Body rating	PN16、PN25、PN40、PN63、PN100、PN160 ANSI 150#、300#、600#、900#、1500#
材质	Material	阀体(Body): WCB、CF8、CF8M、F316, etc. 阀板(Disc): WCB、CF8、CF8M, 阀板处理(Disc treatment): 堆焊司太莱合金(Stellited)
连接方式	Connection	法兰型(RF、RJ) 对夹型(Wafer) 焊接(BW)
流量特性	Characteristics	近似等百分比(Approximate Eq%) 开关两位(On-Off)
工作温度	Temp.	-196~+538°C
阀座允许泄漏量	Leakage	硬密封(Hard sealing)ANSI CLASS V、VI

● 性能特点 Performance Features

- 适用于低压大口径的气体的控制；
- 角行程叶片外装滚动轴承，阻力小，不易卡堵；
- 内泄漏小，后座型风门可以和圆形蝶阀具有相同的低泄漏率；
- 三通四通换向风门广泛应用于各种蓄热式加热炉系统中，频繁切换，长寿命。



- Suitable for low pressure and large body size gas control;
- Outside of the rotary stem motion type disc assembled rolling bearing, low resistance, not easy be blocked;
- The internal leakage is small and the back seat type dampers can have the same low leakage rate as circular butterfly valves;
- The 3-way and 4-way reversing dampers are widely used in various kinds of regenerative heating furnace systems because of their long life under frequent switches.



● 标准规格 Standard Specifications

公称通径	Body size	由风道或烟道尺寸定制(According to the air duct or stack size)
公称压力	Body rating	<0.1MPa
阀体材质	Body material	Q235、Q345, etc.
连接方式	Connection	非标法兰型(Non standard flanged)
流量特性	Characteristics	近似等百分比(Approximate Eq%) 开关两位(On-Off)
工作温度	Temp.	-45~+450℃
阀座允许泄漏量	Leakage	方型：全开 Cv3%-0.1%(0.1% to 3%Cv) 三通，四通：无泄漏(3-Way,4-Way no leakage)

Z1000平板闸阀

Disk Gate Valves



● 性能特点 Performance Features

- 结构长度短，安装方便；
- 流阻小，开闭省力；
- 全开时阀内件受介质冲蚀小；
- 适合各种浆液，粉料的通断控制；
- 可制成夹套型，亦可制成方形连接形式。



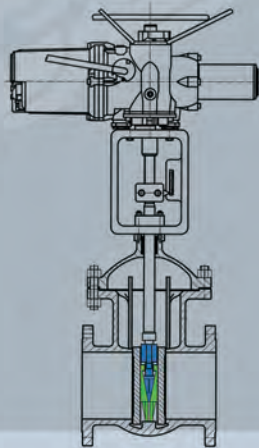
- Short flange distance, convenient installation;
- Small flow resistance, easy to open or close;
- Small erosion on the Trims when fully open;
- Suitable for the on-off control of different kinds of slurry or powder;
- Jacketted or rectangle flanged connection.

● 标准规格 Standard Specifications

公称通径	Body size	DN50~600(2"~24")
公称压力	Body rating	PN10、PN16 ANSI 150#
阀体材质	Body material	WCB、CF8、CF8M, etc.
连接方式	Connection	法兰型(RF) 对夹型(Wafer)
流量特性	Characteristics	开关特性(On-Off)
工作温度	Temp.	-45~+538°C
阀座允许泄漏量	Leakage	硬密封(Hard sealing)ANSI CLASS V、VI

● 性能特点 Performance Features

- 是优异并且广泛使用的切断阀产品；
- 采用金属式接触结构，动作可靠，具有防火功能；
- Z5000楔形闸阀结构简单，性价比高，适用于常温场合，Z6000平行双闸板阀适用于高温、高压的场合；
- Z6000可用作紧急切断阀或放空阀；
- 很容易制成保温夹套型闸阀。



Z6000



Excellent and widely used shutoff valves;

Very good and firm metal to metal touch sealing performance, with fire prevention function;

Z5000 wedge gate valve has simple structure, high cost-efficiency, suitable for common Temp. occasions; Z6000 parallel double gate valve is suitable to high temperature and high pressure services;

Z6000 can be used as the emergency shut-off/opening valve;

Easy to be made into hot medium jacketed type gate valves.

● 标准规格 Standard Specifications

公称通径	Body size	DN25~600(1"~24")
公称压力	Body rating	HG20592-2009 PN16、PN25、PN40、PN63、PN100、PN160 ANSI 150#、300#、600#、900#、1500#
阀体材质	Body material	WCB、CF8、CF8M、A105、F11、F304, etc.
连接方式	Connection	法兰型(RF、RJ) 焊接型(SW、BW)
流量特性	Characteristics	开关两位(On-Off)
工作温度	Temp.	-45~+600°C
阀座允许泄漏量	Leakage	硬密封(Hard sealing)ANSI CLASS V、VI

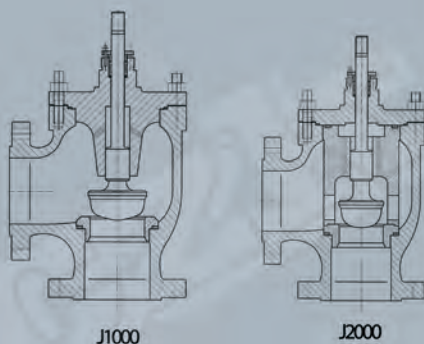
J1000/J2000/J4000/J5000/J7000角阀



Top Guided/High Pressure/Multilevel Cage Guided/Labyrinth/Disk Angle Valves

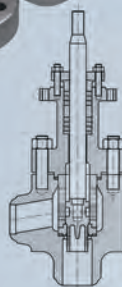
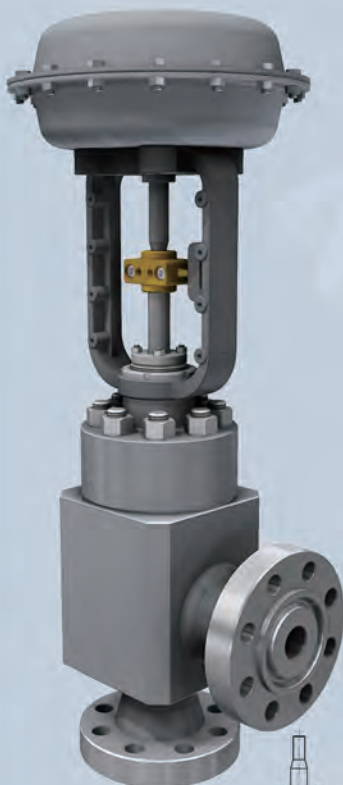
● 性能特点 Performance Features

- 适合高压差流体;
- 多种阀内件结构可选;
- 高压差洁净流体优先选用J5000, J7000;
- 流体含颗粒等时优先选用J1000, J2000;
- 含固体但很细时可选用J4000结构。



J1000

J2000



J4000

Suitable for high pressure differential fluids;

A variety of trim structures are optional;

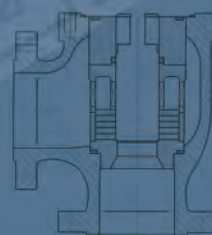
J5000 & J7000: for high pressure differential clean fluids;

J1000 & J2000: for fluid containing particles;

J4000: for fluids contains fine solids.



J5000



J7000

● 标准规格 Standard Specifications

公称通径	Body size	DN50~600(2"~24")
公称压力	Body rating	PN16、PN25、PN40、PN63、PN100、PN160、PN250、PN320 ANSI 150#、300#、600#、900#、1500#、2500#
阀体材质	Body material	WCB、CF8、CF8M、A105、F11、F304, etc.
连接方式	Connection	法兰型(RF、RJ) 焊接型(SW、BW)
流量特性	Characteristics	IEC 标准百分比(IEC standard Eq%)、IEC 标准线性(IEC standard Linear)
可调比 R	Rangeability	20:1—50:1
工作温度	Temp.	-196~+538°C
阀座允许泄漏量	Leakage	硬密封(Hard sealing)ANSI CLASS IV、V

● 性能特点 Performance Features

- 广泛应用于各种反应釜下端，流通简单，阻力小；
- 严格切断无泄漏，独特的硬密封结构确保长寿命；
- 适用于各种黏度流体的控制；
- 根据不同场合有上展和下展两大类阀门可选；
- 很容易制成保温夹套型阀门。



- Widely used at the bottom of all kinds of reaction kettles with simple circulation and small resistance;
- Strictly shut off without leakage, the unique metal sealing design promises its long life;
- Suitable for controlling fluids with different viscosity;
- Two types are optional for different occasions;
- Easy to be made into hot medium jacketed type gate valves.



● 标准规格 Standard Specifications

公称口径	Body size	DN50~300(2"~12")
公称压力	Body rating	HG20592-2009 PN16、PN25、PN40 ANSI 150#、300#
阀体材质	Body material	WCB、CF8、CF8M，镍基合金(Self-fluxing ally), etc.
连接方式	Connection	法兰型(RF)
流量特性	Characteristics	开关两位(On-Off)
工作温度	Temp.	-45~+450°C
阀座允许泄漏量	Leakage	硬密封(Hard sealing)ANSI CLASS V、VI

Y000自力式调节阀

Self-operated Control Valves



● 性能特点 Performance Features

- 依靠介质自身的压力作为动力驱动阀芯达到稳定压力的目的；
- 分为阀前取压和阀后取压两种；
- 上阀盖可以用波纹管密封；
- 低压调节用薄膜式，高压控制选用气缸式执行机构。



- Drive the plug to stable pressure by the medium pressure itself.
- Two types of pressure: before the valve and after the valve;
- Bellows sealing for the bonnet;
- Diaphragm actuators for low pressure control, piston actuators for high-pressure control.



● 标准规格 Standard Specifications

公称通径	Body size	DN15~300(1/2"~12")
公称压力	Body rating	HG20592-2009 PN16、PN25、PN40、PN63、PN100 ANSI 150#、300#、600#
阀体材质	Body material	WCB、CF8、CF8M, etc.
连接方式	Connection	法兰型(RF、RJ)
流量特性	Characteristics	IEC 标准线性(IEC standard Linear) 快开(Quick Open)
压力设定范围	Pressure	5KPa—6000KPa
工作温度	Temp.	-5~+250°C
阀座允许泄漏量	Leakage	硬密封(Hard sealing)ANSI CLASS IV、V 软密封(Soft sealing)ANSI CLASS VI

● 性能特点 Performance Features

- ALD型气动薄膜式执行机构:
采用多弹簧结构, 输出力大, 重量轻;
膜片使用寿命长, 不易破损;
反应灵敏, 精度高;
有正反作用两种;
- ALP型气动活塞式执行机构:
输出力大, 动作灵活;
行程长, 最大可达2000mm;
单动作, 双动作多种形式可选。



- ALD type pneumatic diaphragm actuators:
Multi spring structure, have large output power but light weight;
Diaphragm has a long service life, not easy to be damaged;
Responsive, high precision;
Direct and Reverse actions;
- ALP type pneumatic piston actuators:
large output power, flexible motion;
Long stroke, maximum up to 2000 mm;
Different types are optional such as Spring return action or double action.

● 标准规格 Standard Specifications

尺寸	Size	∅218、∅270、∅350、∅450、∅560	∅200—∅800
输出力	Output power	650N—12000N	10000N—10000000N
行程	Stroke	16—100mm	20—2000mm
弹簧范围	Spring range	20—100KPa, 80—200KPa	(气源压力 Supply pressure: 500KPa) 多弹簧, 单弹簧
环境温度	Ambient Temp.	-40—+80°C	-40—+80°C
手轮机构	Hand wheel	顶式, 旁式(Top, Side)	顶式, 旁式(Top, Side)
作用方式	Option mode	正作用, 反作用(Direct/Reverse acting)	正作用, 反作用, 双作用 (Direct/Reverse/Double acting)

ARR齿轮齿条式气动执行机构

Pneumatic Rack & Pinion Actuator(Rotary)



● 性能特点 Performance Features

- 铝合金缸体，内表面挤压加工，摩擦系数小；
- 抗腐蚀能力强，使用寿命长；
- 双活塞齿轮齿条设计，结构紧凑，输出力大；
- 单作用为组合式预负载镀层弹簧，工作寿命长；
- 多种规格，经济实惠。



- Aluminum alloy cylinder, extrusion processing for the inner surface makes small friction coefficient;
- Great Corrosion resistance promises long service life;
- Double piston, rack & pinion design, compact structure, large output power;
- The combined preloaded plated spring of the spring return type acutator promises long life;
- A variety of economical specifications.

● 标准规格 Standard Specifications

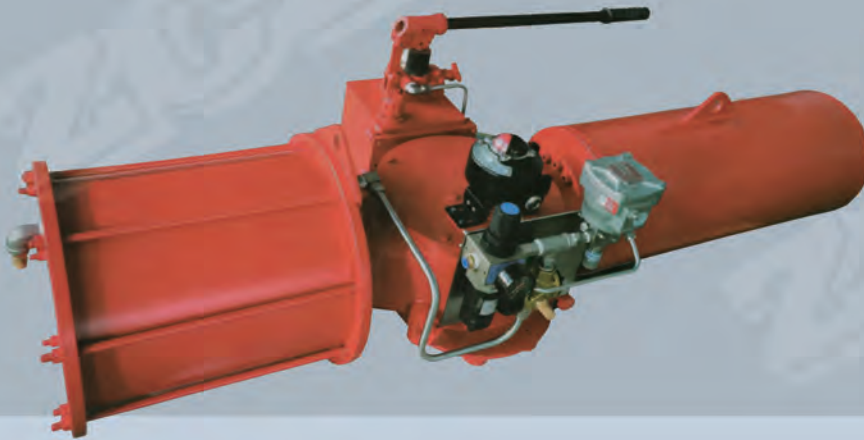
尺寸	Size	ARR63—ARR400
输出力	Output power	0—8000Nm
开度	Angle	90°、120°、135°、180°
弹簧范围	Spring range	3—12 根可选(Amount:3-12 optional) (气源压力 Supply pressure: 500KPa)
环境温度	Ambient Temp.	标准(Standard): -20—+80°C 高温(High): -15—+150°C 低温(Low): -40—+80°C
手轮机构	Hand wheel	旁式(Side)
作用方式	Option mode	单作用，双作用(Spring return/Double)

● 性能特点 Performance Features

- 很容易制成大扭矩产品;
- 无缝钢管缸桶内表面镀铬, 寿命长;
- 单弹簧结构力矩大, 不易疲劳破坏;
- 采用模块化设计, 互换性高;
- 多种手动方式可选(丝杆, 齿轮, 液压手动)。



- Suited for valves need large torque.
- The inter surface of the cylinder made by seamless steel pipe is chrome plated surface which promises long life;
- Large torque by single spring structure, not easy to have fatigue damage;
- Modular design and high interchangeability;
- A variety of manual modes are optional such as screw, gear or hydraulic manual.



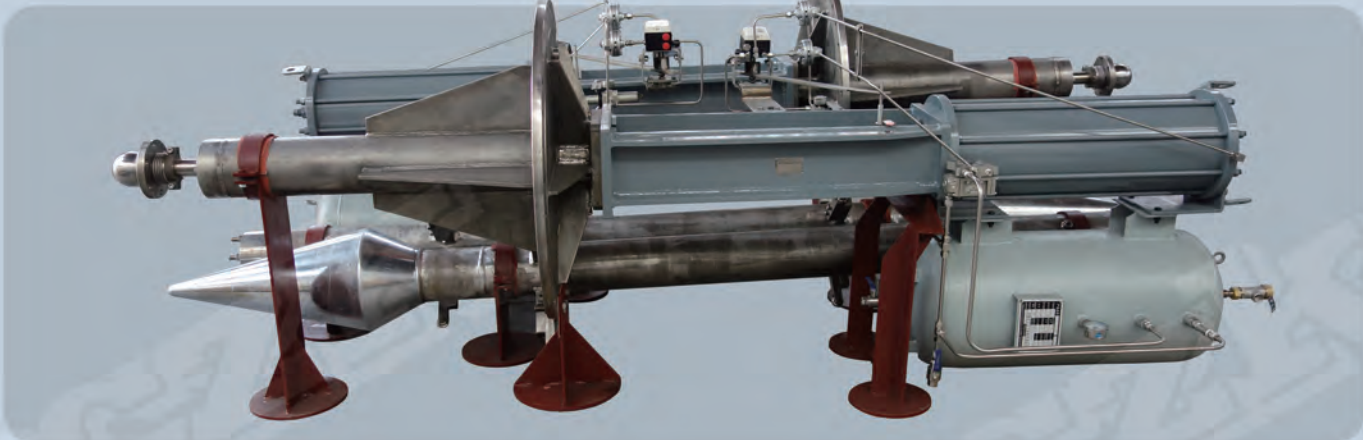
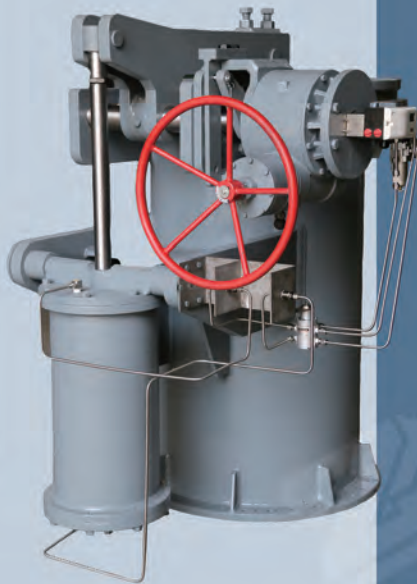
● 标准规格 Standard Specifications

尺寸	Size	ARF: $\varnothing 200-\varnothing 600$ ARH: $\varnothing 200-\varnothing 600$
输出力	Output power	0-250000Nm
开度	Angle	0-90°
弹簧范围	Spring range	单弹簧(Single spring) (气源压力 Supply pressure: 0-600KPa)
环境温度	Ambient Temp.	标准(Standard): -20-+80°C 高温(High): -15-+150°C 低温(Low): -40-+80°C
手轮机构	Hand wheel	顶式, 旁式(Top, Side)
作用方式	Option mode	单作用, 双作用(Spring return/Double)

特殊阀门 Special Valves

ZCZK

- ZCZK多年来本着为用户服务的原则，除了标准产品的生产外，凭借过硬的技术能力，还设计生产了一些非常规产品，满足用户在特殊场合对流体的控制的要求，例如：
- In line with the principle of "Service To Users" and with high technical ability, ZCZK also design and manufacture irregular products to meet users' demands for fluid control on special some occasions. For example:





ZCZK

地址：江苏省无锡市锡山经济开发区芙蓉工业园38号 邮编(P. C)：214192

Add：38#, Furong Industrial Park, Xishan District, Wuxi City, Jiangsu Province, China

电话(Tel)：0086-0510-83780831 83780837

传真(Fax)：0086-0510-87380836

E-mail：zczkv@163.com